

SAILOR Fleet One

Installation guide

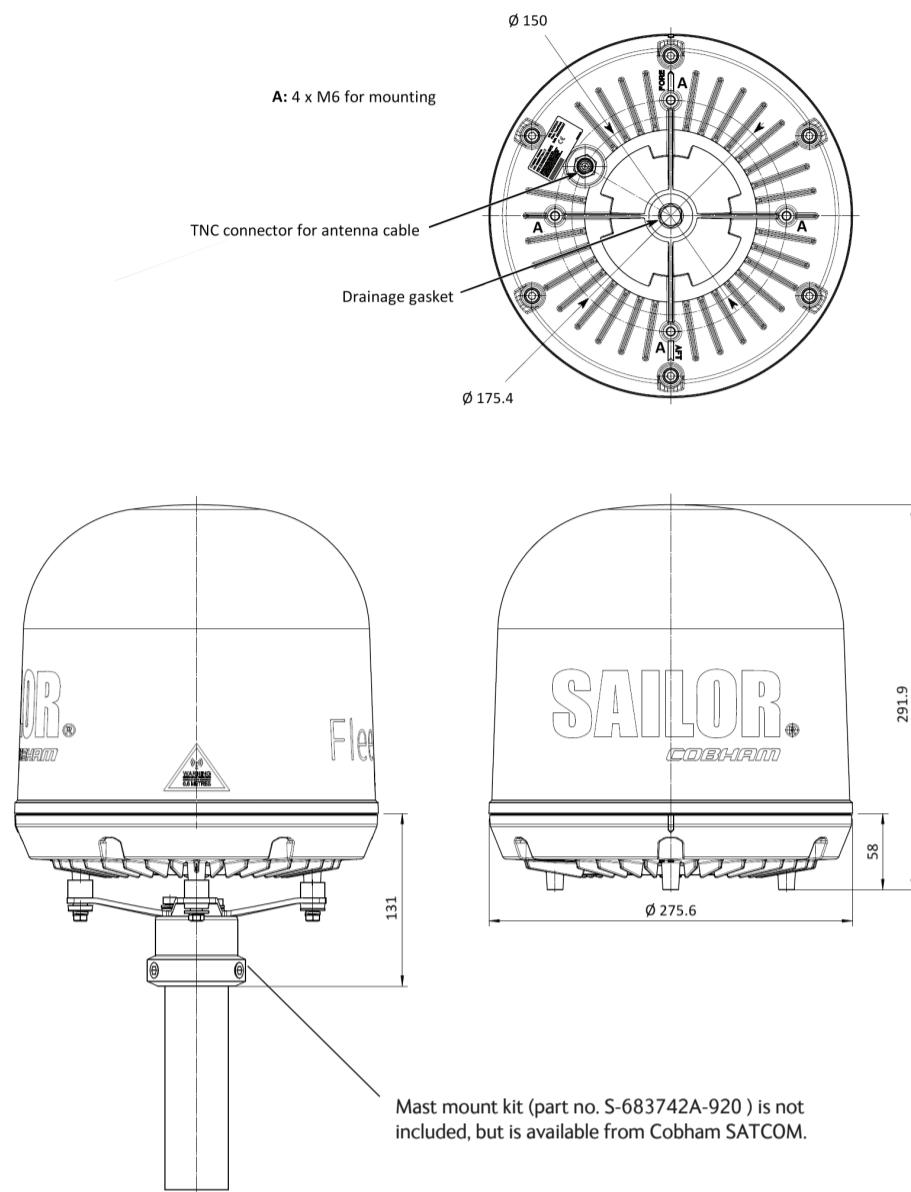
What's in the box?



The following items are included in the delivery:

- SAILOR Fleet One terminal
- SAILOR Fleet One antenna
- DC power cable (1 m) for the terminal
- Ethernet cable (2 m)
- I/O connector
- Mounting bolts and washers for the antenna
- RF cable (10 m)
- Kit for water protection of antenna connector joint
- Installation guide (this guide)
- Quick guide
- CD with User & installation manual, Installation guide and Quick guide

Dimensions for the SAILOR Fleet One antenna



Note: The drawings in this document are not drawn to scale. Refer to the dimensions written in the drawing. All dimensions are in millimeters.

Installation instructions

Important notes for placing the antenna

- When mounting the antenna, make sure you do not block the drainage hole in the centre bottom of the antenna.
- Leave space under the antenna for the antenna cable and connector
- Make sure the antenna has a free view to as much of the sky as possible.

Installing the SAILOR Fleet One System

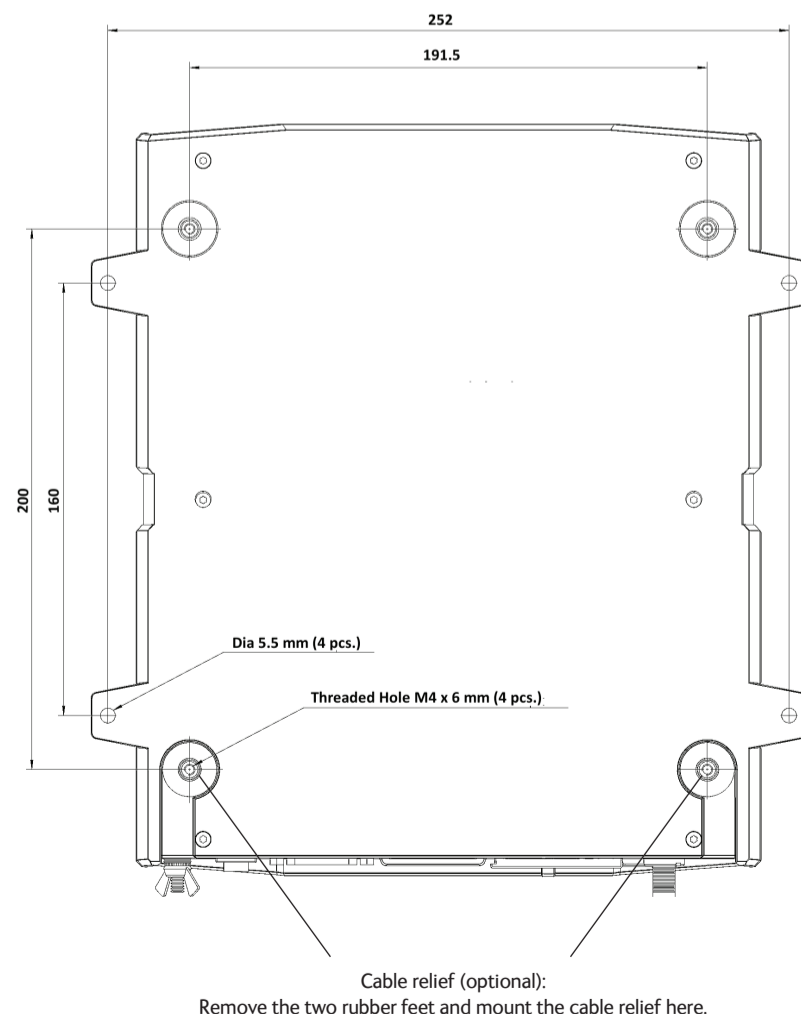
1. Mount the antenna on a mast or on the hull using the enclosed mounting bolts. Use the mounting bolts for grounding the antenna to the same ground as the terminal.
 - To mount the antenna on a mast, use the mast mount kit available from Cobham SATCOM. The mast mount kit fits a 1½" pipe (OD 48.3 mm). Instructions are included with the kit.
 - To mount the antenna on the hull, use M6 mounting bolts and mount spacers to avoid blocking the drainage hole in the bottom of the antenna. The bolts must go 6 to 12 mm into the bushings in the radome. Fasten with 7 to 8 Nm torque.
2. Mount the terminal indoors on a flat mounting surface, e.g. on a bulkhead or desktop, using four M5 screws of a type suitable for the mounting surface. If the mounting surface is used for grounding, make sure that you have a good electrical connection between the mounting surface and the terminal chassis.

Note: If you want to use the cable relief from Cobham SATCOM (Spare part no. S-673738A) for the terminal, first remove the two rubber feet at the connector end of the terminal. Then mount the cable relief in their place using two M4 x 6 mm countersunk screws.
3. Connect the cables as shown in the system configuration drawing (overleaf).

Power cable	Use the power cable supplied with the SAILOR Fleet One System. Connect the other end of the power cable to the ship power supply. For wire colours in the power cable see Connectors, pin allocation and wire colours (overleaf).
RF cable (antenna cable)	Use the RF cable supplied with the SAILOR Fleet One System to connect the antenna to the terminal. Seal the connection at the antenna end using the enclosed kit for water protection.

4. If you are using a cable relief, secure the cables to the cable relief, e.g. using cable strips.

Drilling plan for the SAILOR Fleet One terminal



Note: The drawings in this document are not drawn to scale. Refer to the dimensions written in the drawing. All dimensions are in millimeters.

System configuration - example

SAILOR Fleet One antenna



Allow free space for ventilation and cable

SAILOR Fleet One terminal



Phone connector:
- Analogue phone

LAN connector:
- Computer
- IP handset
- WLAN access point
- External applications

Ground stud
- Ship Ground

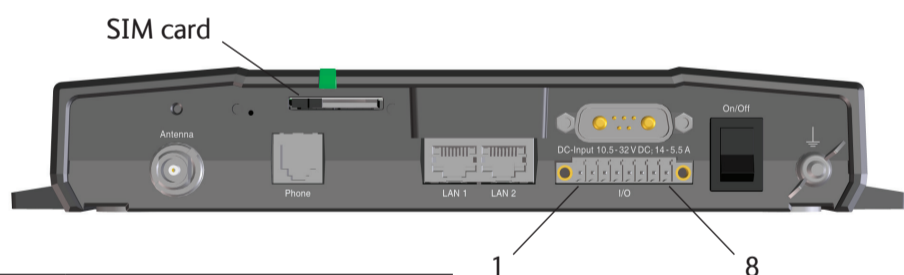
I/O connector:
- Switch for data connection on/off
- Indicator for data active
- Ringer
- Indicator for warning/error
- Ignition input
- DC output (9-15 VDC, 50 mA)

DC input connector:
- Ship power supply (12 - 24 VDC nominal)

Number	Cable	Description
1	Antenna cable	Supplied with SAILOR Fleet One
2	Phone cable	Not supplied: Standard phone cable with RJ-11 connector.
3	Ethernet cable	Supplied with SAILOR Fleet One
4	Power cable	Supplied with SAILOR Fleet One
5	I/O cable	Not supplied
6	Ground cable for Ground stud	Not supplied: Cable for connecting the Ground stud to ship ground. Heavy wire or braid cable with a larger diameter than the antenna cable.

Power LED status	Description
Off	Unit is off
On, green	Unit is on, normal operation
Flash pattern, green	Starting up
Flash pattern, orange	Shutting down

Connectors, pin allocation and wire colours



I/O connector	
Pin	Intended use
1	Ringer output
2	Warning/error output
3	Indicator for data connection, output
4	Control data connection on/off, input
5	Ignition input
6	Chassis GND
7	DC out, 9 - 15 VDC, 50 mA
8	DC in (Ignition input)

Power cable wires	
Wire colour	Signal
Red (thick)	Vin+
Black (thick)	Vin-
Black (thin)	Not connected
Green	Remote on/off
Brown	Not connected
Red (thin)	Not connected
Orange	Remote on/off

Verifying the installation

To verify the successful installation of the SAILOR Fleet One System, do the following:

1. Insert your SAILOR Fleet One SIM card into the SIM slot (see the picture to the left)
2. Switch on the terminal using the on/off button.
3. Verify that the Power indicator on the terminal lights green.
4. Connect a computer to one of the LAN connectors.
5. Open your browser and type in the IP address of the web interface (default 192.168.0.1) to access the built-in web interface.
6. The Status field in the web interface shows the progress (Scanning - Searching - Registering - Ready).
7. Wait until the Status field shows Ready.
8. Connect your phone or computer and verify that you can make a call or connect to the Internet.

For details on installation and use of your SAILOR Fleet One, see the SAILOR Fleet One User & installation manual.

Technical specifications

Item	Specification
Antenna weight	3.94 kg (8.7 lbs)
Antenna dimensions	291.9 mm x Ø 275.6 mm (11.5" x Ø10.9")
Terminal weight	2.2 kg (4.9 lbs)
Terminal dimensions	231 mm x 278 mm x 41 mm (9.1" x 10.9" x 1.6")
Safety distance to antenna	0.6 m (23.7")
Power input for terminal	Nominal 12-24 VDC (10.5 - 32 V DC; 11.5 A - 4 A)
Ambient temperature	Operational: -25° to +55 °C
Relative humidity	
Antenna	100% condensing
Terminal	95% non-condensing at +40 °C

Disclaimer: Any responsibility or liability for loss or damage in connection with the use of this product and the accompanying documentation is disclaimed by Thrane & Thrane A/S. The information in this manual is provided for information purposes only, is subject to change without notice and may contain errors or inaccuracies. The manuals are periodically revised and updated. Anyone relying on this information should acquire the most current version e.g. from cobham.com/satcom or from the distributor. Thrane & Thrane A/S is not responsible for the content or accuracy of any translations or reproductions, in whole or in part, of this manual from any other source. Thrane & Thrane A/S trading as Cobham SATCOM. Copyright © 2013 Thrane & Thrane A/S. All rights reserved.